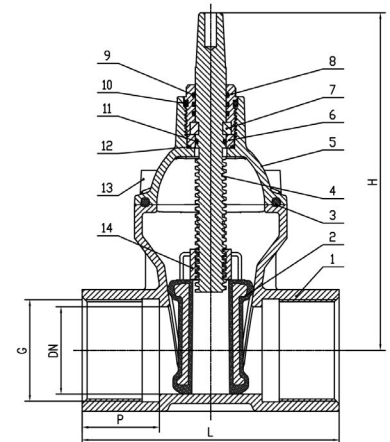


DN20/25/30



DN40/50

**Dimensions (mm)**

DN	L	H	G	P	ø Eje (mm)
20	95	145	3/4"	27	14,1
25	105	145	1"	30	14,1
32	120	150	1 1/4"	32	14,1
40	130	202	1 1/2"	37	18,1
50	150	197	2"	45	18,1

**Materials**

ITEM	PART NAME	MATERIAL
1	Body	GGG 50
2	Disc	EPDM + GGG50
3	Bonnet Gasket	NBR
4	Stem	SS420
5	Bonnet	GGG 50
6	Thrust Washer	CuZn39Pb1
7	Thrust	CuZn39Pb1
8	Thrust Nut	CuZn39Pb1
9	O Ring	NBR
10	O Ring	NBR
11	O Ring	NBR
12	O Ring	NBR
13	Bolts	C45
14	Stem Nut	CuZn39Pb1