

**Technical Data**

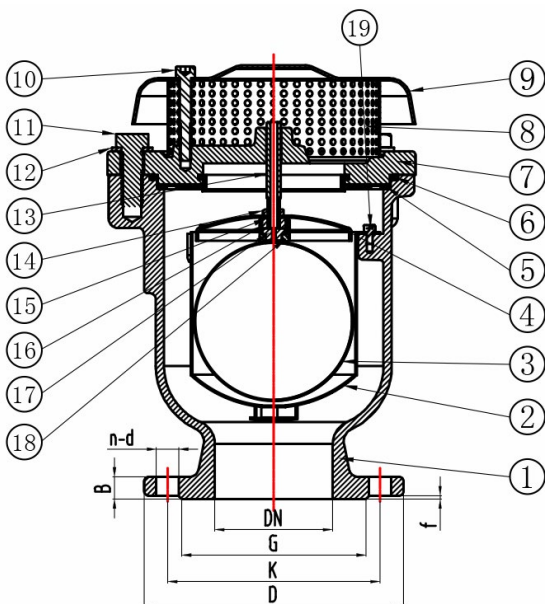
- **Design:** EN1074-4
- **Flange:** EN1092-2 PN10/16
- **Tests:** EN1074-1/4 and CJ/T 217-2005

**With a standard**

Medium	Water
Temperature	0.80°
Low pressure seal	0,2 Bar
Seal test	11/17,6 Bar
Body test	15/24 Bar
PN	10/16 Bar
DN	DN50 - DN200

**Materials**

ITEM	PART NAME	MATERIAL
1	Body	Ductile iron
2	Bushing	AISI304 Stainless steel
3	Floating ball	AISI304 Stainless steel
4	Disc	AISI304 Stainless steel
5	Seal ring	NBR
6	O Ring	NBR
7	Bonnet	Ductile iron
8	Dustproof screen	AISI304 Stainless steel
9	Dust cover	AISI304 Stainless steel
10	Screw	AISI304 Stainless steel
11	Bolt	AISI304 Stainless steel
12	Flat washer	AISI304 Stainless steel
13	Guide rod	CuZn39Pb1 Brass
14	Nut	AISI304 Stainless steel
15	O Ring	NBR
16	Lock nut	CuZn39Pb1 Brass
17	Sealing plug	SI
18	Sealing sleeve	CuZn39Pb1 Brass
19	Screw	AISI304 Stainless steel



## Dimensions

DN	Outline	End flange PN10/16mm					
		EN1092-2					
	H	D	G	K	n-d	B	f
50	305	165	99	125	4ø19	19	3
65	305	185	118	145	4ø19	19	3
80	330	200	132	160	8ø19	19	3
100	370	220	156	180	8ø19	19	3
150	450	285	211	240	8ø23	19	3
200	500	340	266	295	8ø23/12ø23	20	3

The removed air results always exceed those indicated on the graph of the CJ/T 217-2005

