



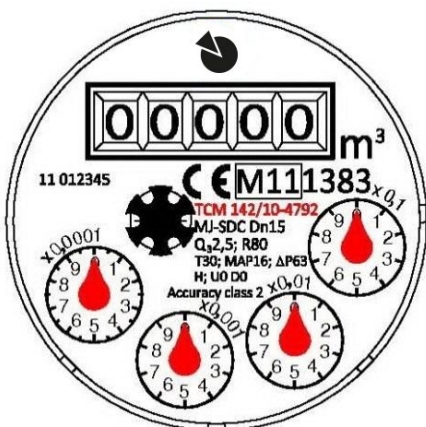
### Technical Data

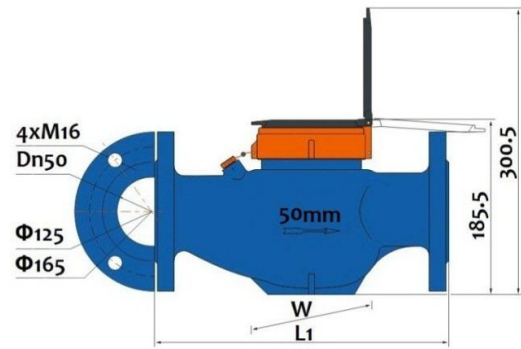
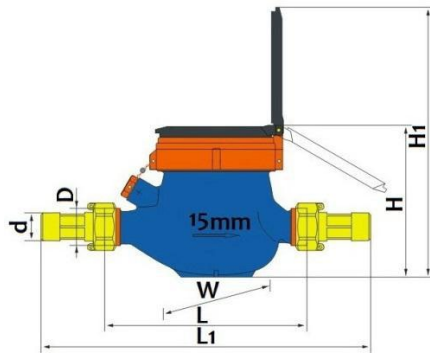
- Magnetic transmission
- Dry type
- Residential use
- From DN15 to DN50
- Designed to comply with the requirements of the directive 2004/22 / EC on measuring instruments, as well as with the European standard EN14154.

### Characteristics

- All materials in contact with water are resistant to corrosion.
- According to the regulations it is a meter for cold water ( $\leq 30^{\circ}\text{C}$ ), but its correct operation is guaranteed up to  $50^{\circ}\text{C}$ .
- Reading indicator with five digits and four dials with a needle.
- The filter placed in the inlet allows cleaning without breaking the metrological seal.
- Magnetic protection against external influences.
- Non-return valve as an option.

### Dial Design





### Dimensions

Mesure	DN15	DN20	DN25	DN32	DN40	DN50	DN50-Brida
L	165	190	260	260	300	300	300
L1	259	294	380	384	431	448	
D	G3/4B	G1B	G1-1/4B	G1-1/2B	G2B	G2-1/2B	X
d	R1/2	R3/4	R1	R1-1/4	R1-1/2	R2	X
H	107.5	107.5	117.5	117.5	141.5	177	185.5
H1	191	191	206.5	206.5	256.5	292	300.5
W	94	94	98	98	122	145	165

\*L1: full length with connection and uncompressed rubbers

### Optional different lengths

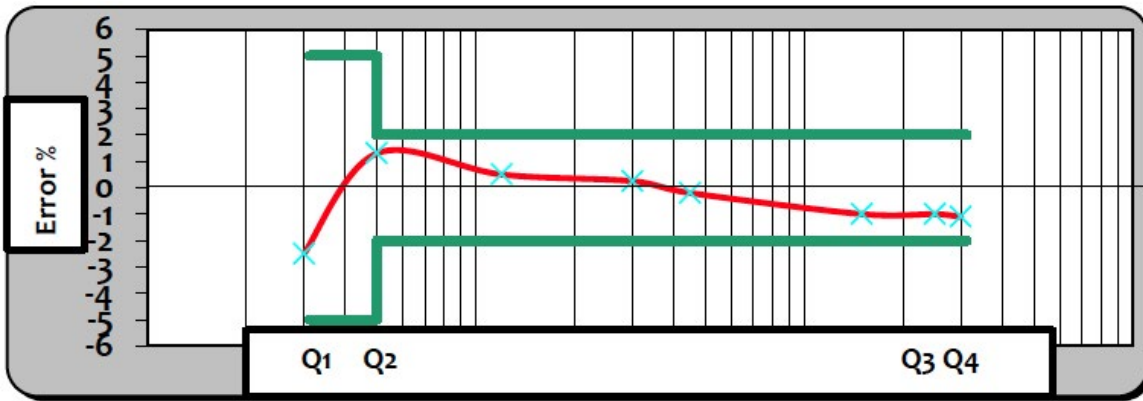
Mesure	DN15	DN20	DN25	DN32	DN40	DN50	DN50-Brida
L	110	160	160	160	200	280	280
	120	X	220	230	245	X	X
	130	X	225	X	X	X	X
	145	X	X	X	X	X	X
	170	X	X	X	X	X	X
	190	X	X	X	X	X	X

### Main technical data

Measure	mm	DN15	DN20	DN25	DN32	DN40	DN50
R	Q3	80					
Q4	m <sup>3</sup> /h	3,125	5	7,875	12,5	20	31,25
Q3	m <sup>3</sup> /h	2,5	4	6,3	10	16	25
Q2	l/h	50	80	126	200	320	500
Q1	l/h	31,25	50	78,75	125	200	312,5
Max. Reading	m <sup>3</sup>	99999,9999				999999,9999	
Min. Reading	Liter	0.05					
Pressure loss	ΔP	ΔP<63 a Q3					
Máx. Temperature	MAP	MAP16					
Max. Pressure	°C	T30 o T50					

**Maximum admissible error for 30°**

From Q1 included, but excluded G2



**Display option**

- Pre-equipped for pulse output or display of pulses.
  - The pulse emitting equipment consists of a housing with the Reed Switch and 1.5m of cable with 2 strands red and black.
  - Option with 2 Reed Switch and 1.5m cable with three threads in red black and blue.
  - Electric Data:  $V_{max} = 24AC / DC$ ;  $I_{max} = 0.01A$
  - Pulse emitter capacity:

Magnet position	Liter/Pulse
x0,0001	1
x0,001	10
x0,01	100
x0,1	1000



- Measuring elements in a copper enclosure with IP68 protection
- 5 digits in black, three in red and a dial with needle for DN15 to DN32 and 6 digits in black, 2 in red and two dials for the others.

