



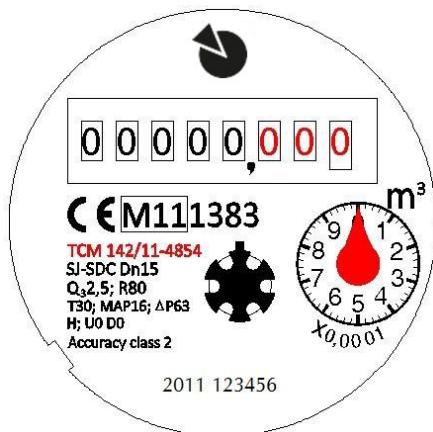
Technical Data

- Magnetic transmission
- Dry type
- Residential use
- From DN15 to DN40
- Designed to comply with the requirements of the directive 2004/22 / EC on measuring instruments, as well as with the European standard EN14154 + A1 + A2: Meters, the International Organization for Legal Metrology OIML R-49: 2006 (E): Meters for water measurement cold and hot.

Characteristics

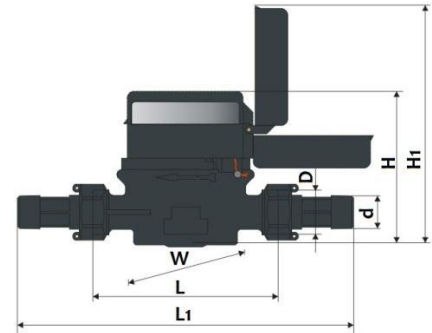
- All materials in contact with water are corrosion resistant.
- The best and most reliable composite has been used to ensure strength and longevity.
- Rotary reading indicator with eight digits and a dial with a needle.
- The turbine is the only moving part in contact with water.
- Magnetic protection against external influences.
- External calibration for greater ease.

Dial design



Dimensions

Mesure	DN15	DN15	DN20
L	110	115	130
L1	204	209	234
D	G3/4B	G3/4B	G1B
d	R1/2	R1/2	R3/4
H	89.5	89.5	89.5
H1	145	145	145
W	81.5	81.5	81.5

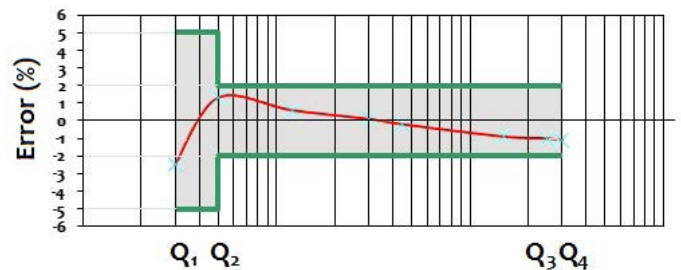


* L1: full length with connection and uncompressed rubbers

Mail technical data

Mesure	DN	DN15	DN20
R	Q3	R80 Horizontal Installation	
Q4	m ³ /h	3,125	5
Q3	m ³ /h	2,5	4
Q2	l/h	50	80
Q1	l/h	3,125	50
Max. Reading	m ³	99999.9999	
Min. Reading	Liter	0.02	
Pressure loss	ΔP	$\Delta P < 63$ a Q3	
Máx. Temperature	MAP	MAP16	
Max. Pressure	°C	T30	

Maximum admisible error (for 30°C)

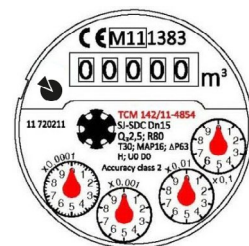


- From Q1 (inclusive) to Q2 (exclusive) is of $\pm 5\%$
- From Q2 (inclusive) to Q4 $\pm 2\%$

Opciones



- Pre-equipped with output for pulse emitter as an option.
 - Pulse emitter as option



- Rotary reading indicator to place it on the more comfortable reading position as an option five digits and four spheres