

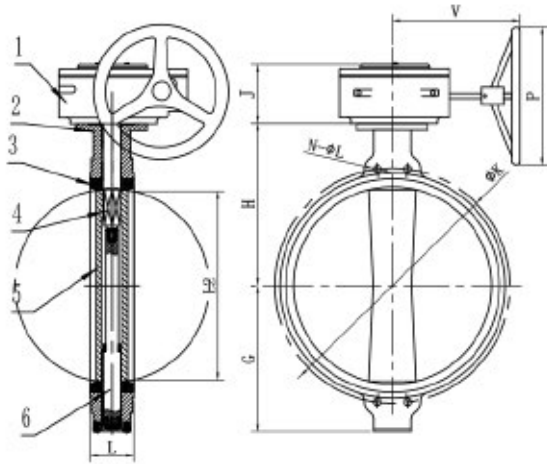
DN 50-300

### Materials

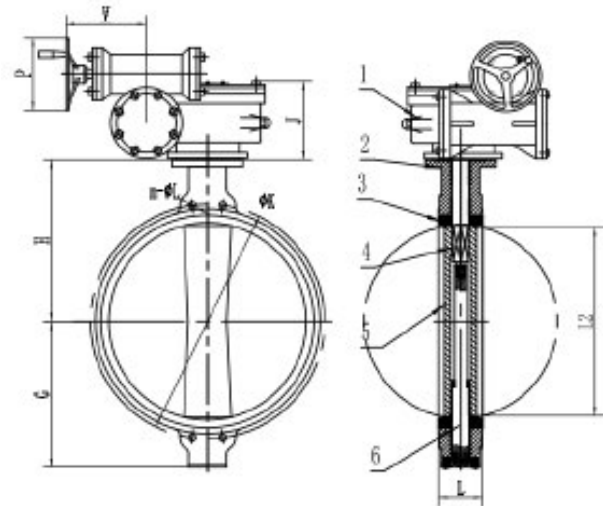
N.	PART NAME	MATERIAL
1	Body	Cast iron
2	Body	Ductile iron
3	Seat	EPDM
4	Stem	SS416
5	Disk	DI with Nylon coated
6	Stem	SS416

### Specifications

<b>Working pressure</b>	1,6MPa
<b>Shell testing pressure</b>	2,4MPa
<b>Leaking test pressure</b>	1,76MPa
<b>Flange connection</b>	PN10/PN16/ANSI B16,5
<b>Working temperature</b>	-20°C -100°C
<b>Suitable medium</b>	Water
<b>Design Standard (Face to face)</b>	API609
<b>Test Standard</b>	API598 EN10204 3,1



DN 350-450



DN 500-600

### Dimensions

Size	H1	H2	H3	L1	Ø	4-Ø d 1,6 MPa	D1 1,6 MPa	L2	G
DN50	70	130	70	42	Ø150	4-Ø18	Ø125	32	155
DN65	76	143	70	45	Ø150	4-Ø18	Ø145	47	155
DN80	89	155	70	45	Ø150	4-Ø18	Ø160	65	155
DN100	104	170	70	52	Ø150	4-Ø18	Ø180	91	155
DN125	120	190	70	55	Ø150	4-Ø18	Ø210	112	155
DN150	132	210	70	56	Ø150	4-Ø22	Ø240	146	155
DN200	167	243	80	61	Ø300	4-Ø22	Ø295	194	225
DN250	202	282	80	66	Ø300	4-Ø26	Ø355	242	225
DN300	239	310	85	77	Ø300	4-Ø26	Ø410	292	220
DN350	265	368	85	77	Ø285	4-Ø26	Ø470	325	195
DN400	320	400	110	102	Ø390	4-Ø30	Ø525	380	270
DN450	335	422	110	112	Ø390	4-Ø30	Ø585	428	270
DN500	379	440	110	127	Ø300	4-Ø33	Ø620	474	160
DN600	470	562	128	154	Ø400	4-Ø36	Ø725	573	176