

Generic Data

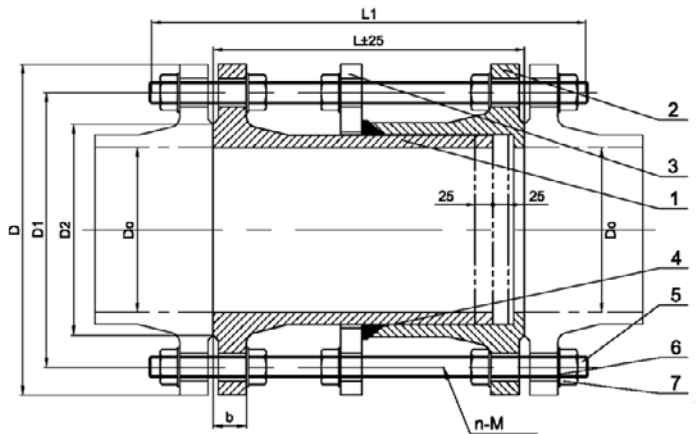
- GGG50 ductile iron with epoxy coating.
- PN10 working pressure.
- Equipped with nuts and galvanized washers.
- EPDM or NBR seals.
- Diameter range from 50 mm to 1200 mm.
- Pressure Test:
Body: 1,5 Mpa
Seat: 1,1 Mpa

Materials

NUM	ITEM	MATERIAL	STANDARD
1	Outer flange	Ductile Iron	ISO 2531
2	Joint	Rubber	EPDM
3	Central Edge	Ductile Iron	ISO 2531
4	Inner flange	Ductile Iron	ISO 2531
5	Rod	Galvanized steel	ISO 898-1:1999
6	Washer	Galvanized steel	
7	Nut	Galvanized steel	ISO898-2:1992

Technical Data

			LENTGH (mm)		SETTING	EN1092 PN10				
DN	ID	OD	L	L1/PN10	B	D	D1	D2	b	N-M
50	65	66	205	310	± 25	165	125	99	19	4-M16
65	80	77	205	310	± 25	185	145	118	19	4-M16
80	83	98	205	340	± 25	200	160	132	19	8-M16
100	101	144	205	340	± 25	220	180	156	19	8-M16
150	154	144	205	340	± 25	285	240	211	19	8-M20
200	206,5	170	215	350	± 25	340	295	266	20	8-M20
250	258	222	220	370	± 25	400	350	319	22	12-M20
300	307	274	240	390	± 25	455	400	370	24,5	12-M20
350	359	326	240	400	± 25	505	460	429	24,5	16-M20
400	408	378	250	420	± 25	565	515	480	24,5	16-M24
450	456	429	265	435	± 25	615	565	530	25,5	20-M24
500	508	532	275	440	± 25	670	620	582	26,5	20-M24
600	613,4	635	295	460	± 25	780	725	682	30	20-M27
700	711	738	300	480	± 25	895	840	794	32,5	24-M27
800	817	842	320	500	± 25	1015	950	901	35	24-M30
900	911	945	320	500	± 25	1115	1050	1001	37,5	28-M30
1000	1012	1048	330	545	± 25	1230	1160	1112	40	28-M33
1200	1216	1255	350	580	± 25	1455	1380	1328	45	32-M36



Generic Data

- GGG50 ductile iron with epoxy coating.
- PN16 working pressure.
- Equipped with nuts and galvanized washers.
- EPDM or NBR seals.
- Diameter range from 50 mm to 1200 mm.
- Pressure Test:
Body: 2,4 Mpa
Seat: 1,76 Mpa

Materials

NUM	ITEM	MATERIAL	STANDARD
1	Outer flange	Ductile Iron	ISO 2531
2	Joint	Rubber	EPDM
3	Central Edge	Ductile Iron	ISO 2531
4	Inner flange	Ductile Iron	ISO 2531
5	Rod	Galvanized steel	ISO 898-1:1999
6	Washer	Galvanized steel	
7	Nut	Galvanized steel	ISO898-2:1992

Technical Data

DN	ID	OD	LENGTH (mm)		SETTING	EN1092 PN16				
			L	L1/PN16		D	D1	D2	b	N-M
50	65	66	205	310	± 25	165	125	99	19	4-M16
65	80	77	205	310	± 25	185	145	118	19	4-M16
80	83	98	205	340	± 25	200	160	132	19	8-M16
100	101	144	205	340	± 25	220	180	156	19	8-M16
150	154	144	205	340	± 25	285	240	211	19	8-M20
200	206,5	170	215	350	± 25	340	295	266	20	12-M20
250	258	222	220	380	± 25	400	355	319	22	12-M24
300	307	274	240	400	± 25	455	410	370	24,5	12-M24
350	359	326	240	410	± 25	520	470	429	26,5	16-M24
400	408	378	250	430	± 25	580	525	480	28	16-M27
450	456	429	265	450	± 25	640	585	530	30	20-M27
500	508	532	275	460	± 25	715	650	582	31,5	20-M30
600	613,4	635	295	500	± 25	840	770	682	36	20-M33
700	711	738	300	500	± 25	910	840	794	39,5	24-M33
800	817	842	320	530	± 25	1025	950	901	43	24-M36
900	911	945	320	530	± 25	1125	1050	1001	46,5	28-M36
1000	1012	1048	330	570	± 25	1255	1170	1112	50	28-M39
1200	1216	1255	350	620	± 25	1485	1390	1328	57	32-M45