

### Features

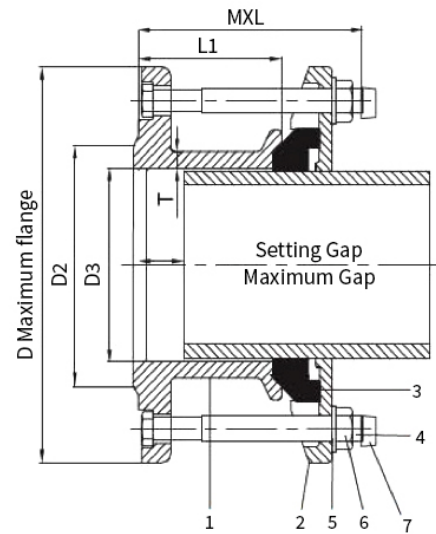
- Ductile iron GGG50 material with Epoxy coated.
- PN 10, PN 16 working pressure.
- Equipped with Dacromet Steel bolts, nuts.
- EPDM or NBR rubber seals.
- High tolerance mechanical pipe fitting.
- Angular deflection +/- 3°.

### Materials Specification

ITEM	PARTS NAME	MATERIAL	SPECIFICATION
1	Body	Ductile Iron	GGG50
2	End Ring	Ductile Iron	GGG50
3	Rubber Seal	Rubber	EPDM
4	Bolt	Dacromet Coated Steel	ISO898-1:1999
5	Washer	Dacromet Coated Steel	
6	Nut	Dacromet Coated Steel	ISO898-2:1992
7	Cup	Plastic	

### Dimensions (mm)

SIZE	Pipe OD (mm)	D	D2	D3	L1	MXL	Bolt N°	Weight (kg)	Flange Designation			
									PN10/16	ANSI 125/150	Table D	Table E
40	48-60	150	84	64	82	M12X125	2	2,7	o	o	o	o
50	59-72	165	99	77	82	M12X125	2	3,5	o	o	o	o
65	72-85	185	108	90	82	M12X125	2	3,9	o	o	o	o
80	88-103	200	132	108	82	M12X125	4	4,8	o	o	o	o
100	109-128	220	156	133	82	M12X125	4	6,1	o	o	o	o
125	132-153	250	184	158	82	M12X140	4	7	o	o	o	o
150	159-182	285	211	187	82	M12X140	4	7,8	o	o		o
175	192-210	340	266	215	82	M12X140	4	11,6	o	o		o
200	218-235	340	266	241	82	M12X140	4	12	o	o		o
225	242-267	405	319	272	82	M12X140	4	13,6	o	o		o
250	272-289	405	319	295	90	M12X140	6	14,5	o	o		
300	315-332	460	370	338	90	M12X150	6	18,5	o	o		
300	322-339	460	370	345	90	M12X150	6	18,9	o			
300	340-360	460	350	312	115	M14X180	8	41,5	o			o
350	351-378	520	425	350	115	M14X180	8	43,8	o			
350	374-391	520	425	393	115	M14X180	8	43,8	o			
400	425-442	580	477	444	115	M14X180	8	52,8	o			
500	526-544	715	585	548	115	M14X180	10	68,2	o			
600	630-647	840	682	650	115	M14X180	10	84,7	o			



### Features

- Ductile iron GGG50 material with Epoxy coated.
- PN 10, PN 16 working pressure.
- Equipped with Dacromet Steel bolts, nuts.
- EPDM or NBR rubber seals.
- High tolerance mechanical pipe fitting.
- Angular deflection +/- 3°.

### Materials Specification

ITEM	PARTS NAME	MATERIAL	SPECIFICATION
1	Body	Ductile Iron	GGG50
2	End Ring	Ductile Iron	GGG50
3	Rubber Seal	Rubber	EPDM
4	Bolt	Dacromet Coated Steel	ISO898-1:1999
5	Washer	Dacromet Coated Steel	
6	Nut	Dacromet Coated Steel	ISO898-2:1992
7	Cup	Plastic	

### Dimensions (mm)

SIZE	Pipe OD (mm)	D	D2	D3	L1	MXL	Bolt N°	Weight (kg)	Flange Designation			
									PN10/16	ANSI 125/150	Table D	Table E
50	58-74	166	110	50	100	M12X150	4	4,2	o	o	o	o
60	68-84	187	125	65	100	M12X150	4	5,0	o	o	o	o
80	84-105	200	140	80	100	M12X150	4	6,3	o	o	o	o
100	99-118	235	155	100	100	M12X150	4	6,8	o	o	o	o
100	109-133	235	155	100	105	M12X150	4	7,8	o	o	o	o
125	133-157	285	185	133	110	M12X170	4	11,0	o	o	o	o
150	157-182	285	215	150	110	M12X170	4	12,5	o	o		o
200	194-215	345	265	200	120	M12X170	4	15,5	o	o		o
200	218-242	245	265	200	120	M12X170	4	17,5	o	o		o
250	242-268	410	320	245	120	M12X170	6	20,5	o	o		o
250	266-291	410	320	250	120	M12X170	6	21,0	o	o		
250	280-305	410	320	250	120	M12X170	6	25,5	o	o		
300	302-327	490	370	300	120	M12X170	6	27,0	o			
300	324-350	455	410	310	140	M12X190	6	24,0	o			o
350	352-378	520	470	350	120	M14X170	8	25,4	o			
350	384-410	520	470	360	140	M14X190	8	29,2	o			
400	384-410	580	525	400	160	M14X210	8	29,2	o			
400	410-436	580	525	400	160	M14X210	8	34,5	o			
400	436-462	580	525	410	160	M14X210	8	36,8	o			