

Features

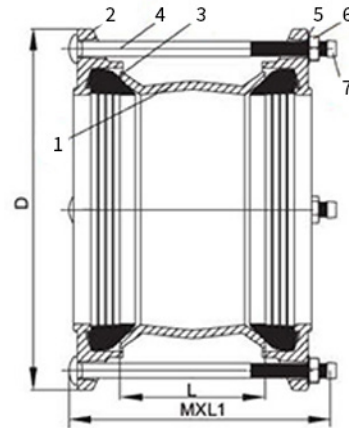
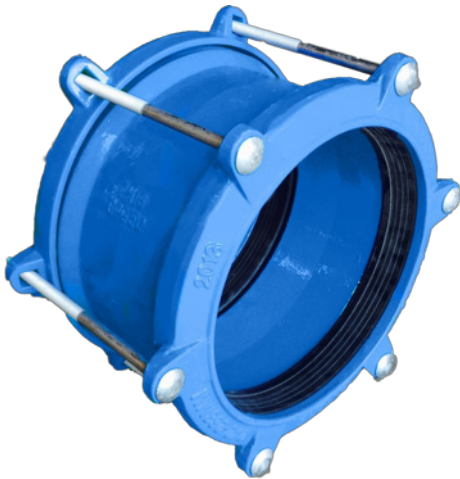
- Mild steel S235JR with FBE coated.
- PN 10, PN 16 working pressure.
- Equiped with dacromet steel bolts, nuts.
- EPDM or NBR rubber seals.
- Hight tolerance mechanical pipe fittings.
- Angular deflection +/- 6°.

Materials Specification

N°	PART NAME	MATERIAL	SPECIFICATION
1	Center Sleeve	Carbon Steel	S235JR
2	End Ring	Ductile Iron	GGG50
3	Rubber Seal	Rubber	EPDM
4	Bolt	Dacromet Coated Steel	ISO898-1:1999
5	Washer	Dacromet Coated Steel	
6	Nut	Dacromet Coated Steel	ISO898-2:1992
7	Cap	Plastic	

Dimensions (mm)

SIZE	Pipe OD (mm)	D	L1	N° Bolt MXL	Weight (Kg)
40	48-60	155	190	2-M12X260	2,8
50	59-72	165	190	2-M12X260	2,8
65	72-85	180	190	2-M12X260	3
80	88-103	185	190	4-M12X280	4,6
100	109-128	225	190	4-M12X280	5,7
125	132-153	250	190	4-M12X280	7
150	159-182	275	190	4-M12X280	9,1
175	192-210	305	190	4-M12X280	14,5
200	218-235	315	190	4-M12X280	16,5
225	242-267	350	250	4-M12X350	17,3
250	272-289	395	250	6-M12X350	18,6
300	315-332	450	250	6-M12X350	23,2
300	322-339	460	250	6-M12X350	25,8
350	340-360	490	250	8-M14X350	33,8
350	351-378	510	250	8-M14X350	34,8
350	374-391	520	250	8-M14X350	36,8



Features

- Mild steel S235JR with FBE coated.
- PN 10, PN 16 working pressure.
- Equiped with dacromet steel bolts, nuts.
- EPDM or NBR rubber seals.
- Hight tolerance mechanical pipe fittings.
- Angular deflection +/- 6°.

Materials Specification

N°	PART NAME	MATERIAL	SPECIFICATION
1	Center Sleeve	Carbon Steel	S235JR
2	End Ring	Ductile Iron	GGG50
3	Rubber Seal	Rubber	EPDM
4	Bolt	Dacromet Coated Steel	ISO898-1:1999
5	Washer	Dacromet Coated Steel	
6	Nut	Dacromet Coated Steel	ISO898-2:1992
7	Cap	Plastic	

Dimensions (mm)

SIZE	Pipe OD (mm)	D	L1	N° Bolt MXL	Weight (Kg)
50	58-74	100	M12X190	4	2,6
65	68-84	100	M12X190	4	3,9
80	84-105	100	M12X190	4	5,2
100	99-118	100	M12X190	4	5,5
100	109-133	100	M12X190	4	6,8
125	133-157	100	M12X190	4	6,8
150	157-182	115	M12X210	4	9,4
150	177-201	115	M12X210	4	9,8
200	194-215	115	M12X210	4	9,9
200	218-242	160	M12X230	6	14,4
225	242-268	160	M12X230	6	18,5
250	266-291	160	M12X250	6	18,6
250	280-305	160	M12X250	6	20,5
300	302-327	160	M12X250	6	22,0
300	324-350	160	M14X260	6	16,5
350	352-378	160	M14X260	8	19,9
350	384-410	160	M14X260	8	21,1
400	410-436	160	M14X260	8	21,8
400	436-462	160	M14X260	8	23,5