



Technical Data

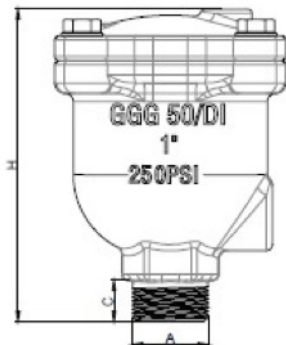
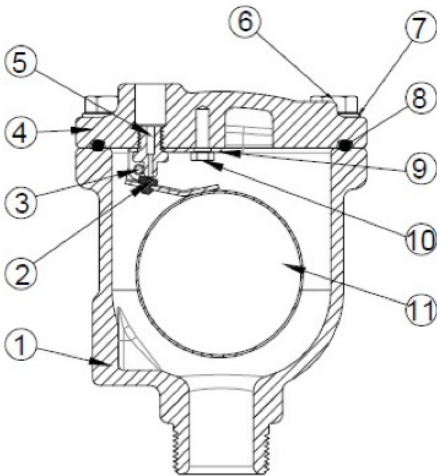
- **Size range:** DN 15 - DN 25mm
- **Ratings:** 1.0Mpa; 1.6Mpa
- **Working temperature:** -10 °C - 80 °C
- **Flow Media:** Clean water
- **Connection:** PN10, PN16, BSPT and NPT male
- **Service Fields:** For clean water system

Features

Single air release valve is commonly installed in the peak of the pipeline, and used for exhausting the compressed air in pipeline system, generally there will be about 2% of dissolved air in water and it will release as bubbles and thru the air release valve nozzle. It can prevent the existence of bubble gap for flow, this can help a better efficiency for transmission of flow.

- High grade ductile iron body, reduce the weight and much longer life than cast iron.
- Simple mechanism with lever and float.
- The float and internal mechanism are made of AISI 304 stainless steel and last for much longer life cycles.
- Epoxy coating for both inside and outside.
- Male connection can easily be connected to isolated valves, no need further nipples.
- End connection can be BSPT or NPT thread.

Dimensions

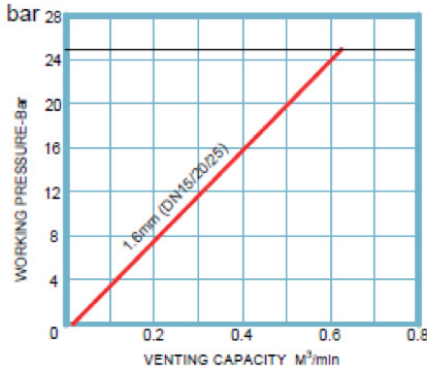


| ITEM | PART NAME | MATERIAL | STANDARD |
|------|---------------|-----------------|--------------|
| 1 | Body | Ductile Iron | EN GJS 500-7 |
| 2 | Set | Rubber | EPDM |
| 3 | Pin | Stainless Steel | AISI 304 |
| 4 | Bonnet | Ductile Iron | EN GJS 500-7 |
| 5 | Small nozzle | Stainless Steel | AISI 304 |
| 6 | Hex Bolt | Stainless Steel | AISI 304 |
| 7 | Washer | Stainless Steel | AISI 304 |
| 8 | O Ring | Rubber | NBR |
| 9 | Support Plate | Stainless Steel | AISI 304 |
| 10 | Hex Bolt | Stainless Steel | AISI 304 |
| 11 | Float | Stainless Steel | AISI 304 |

| DN | MODEL NO | A | C | H |
|----|----------|--------|----|-----|
| 15 | PUR15 | G 1/2" | 20 | 152 |
| 20 | PUR20 | G 3/4" | 20 | 152 |
| 25 | PUR25 | G 1" | 20 | 152 |



Air release during working conditions



Flow Performance

