



Features

- Advanced design with simple mechanism, strong float to prevent cracking during sudden water hammer & quick closure.
- Aerokinetic mechanism to resist blow shut under higher air velocity even up to sonic velocity of air.
- With special fat body design to lower the sewage water flow speed, and let the air out but keep sewage water underneath.
- Keep dirty or corrosive liquid inside the body for safety during operation and no harm to human & surrounding environment
- Internal body guide and upper round wall keep float moving on its rail and keep liquid turbulence flow within this area.
- Much bigger air flow through the nozzle even for higher viscosity liquid.
- Outside screen will be an option for safety and prevent insects or birds in.
- Fully fusion epoxy coated inside and outside of valve body for long term services.
- Manufacturing standard meets BS EN 1074-4, AWWA C512. Flange drilling and dimension meets BS EN 1092 and ANSI flange.

Technical Data

- **Size range:** DN 50-200MM
- **Pressure ratings:** 1.0Mpa,1.6Mp (Flange)
- **Working temperature:** -10°-80°C
- **Flow media:** Sewage water.
- **Service Fields:** For sewage water system.

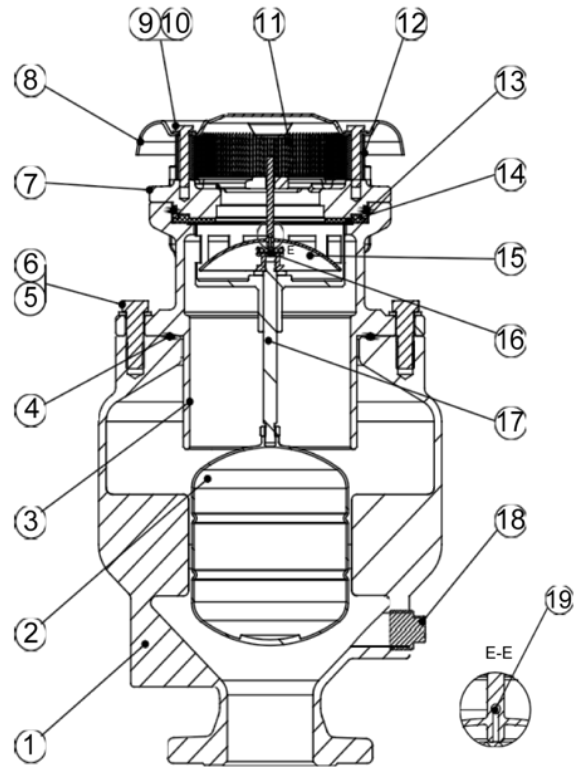
Functions

Sewage combination air release valve provides 3 functions:

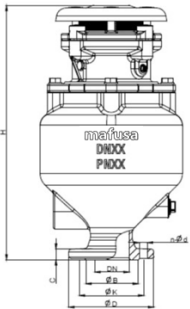
- 1.Large air release during filling of the pipeline.
- 2.Small air venting under pressurized pipeline.
- 3.Large air intake during draining of the pipeline.

Materials

ITEM	PART NAME	MATERIAL	STANDARD
1	Body	Ductile Iron	EN GJS 500-7
2	Float	Stainless Steel	AISI 304/316
3	Middle Part	Ductile Iron	EN GJS 500-7
4	O Ring	Rubber	NBR
5	Hex Bolt	Stainless Steel	AISI 304/316
6	Washer	Stainless Steel	AISI 304/316
7	Bonnet	Ductile Iron	EN GJS 500-7
8	Cover	Carbon Steel	Commercial + Epoxy
9	Washer	Carbon St/Stainless St	Commercial/AISI 304/316
10	Hex Bolt	Carbon St/Stainless St	Commercial/AISI 304/316
11	Screen	Stainless Steel	AISI 304
12	Pillar	Aluminium	Commercial
13	O Ring	Rubber	NBR
14	Seat	Rubber	NBR/EPDM
15	Sealing Arc	Stainless Steel	AISI 304/316
16	Nozzle Seat	Rubber	NBR/EPDM
17	Stem	Stainless Steel	AISI 304/316
18	Plug-Option	Stainless Steel	AISI 304/316
19	Small Nozzle	Stainless Steel	AISI 304/316



Dimensions



DN	MODEL NO	H	Ø D		Ø K		Ø B		n - Ø d		DN
			PN10	PN16	PN10	PN16	PN10	PN16	PN10	PN16	
50	VTR050	520	165		125		99		4 - Ø19		19
80	VTR080	576	200		160		132		8 - Ø19		19
100	VTR100	682	220		180		156		8 - Ø19		19
150	VTR150	820	285		240		211		8 - Ø19		19
200	VTR200	930	340		295		266		8 - Ø23	12 - Ø23	20

Dimensions

Water flow rate range Max.CMH (M3/Hour)	1360	4160	8500	19100	33400
Main pipe size (mm)	80-400	400-700	750-1000	1050-1500	1500-2000
Inlet size (mm)	50	80	100	150	200
Bore of outlet (mm)	3,5	4,0	5,0	6,0	8,0
Small orifice size (mm)	3,0	3,5	4,5	5,5	6,0