



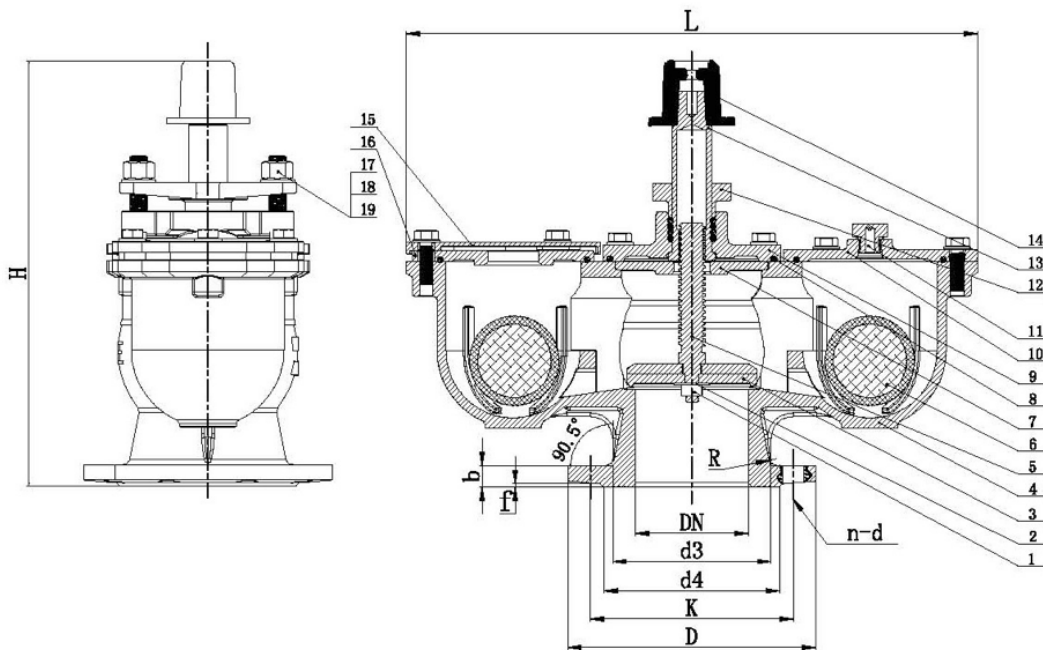
Features

- Flang drilling to EN 1092-2 PN 10.
- For water or neutral liquid.
- Epoxy resin coating internally and externally for potable water.
- Hydraulic test 17.6 bar for shell, 24 bar for body.

Dimensions (mm)

DN	K	d4	d3	b	f	n-d	L	H	D
50	125	102	80	19	3	4-18	408	341	165
80	160	138	114	19	3	8-18	460	347	200
100	180	158	136	19	3	8-18	507	480	220
150	240	212	190	19	3	8-23	720	590	285
200	295	268	246	20	3	12-23	830	670	340

Materials



ITEM	PART NAME	MATERIAL
1	Nut	Carbon Steel
2	Washer	Carbon Steel
3	Gasket	NBR
4	Body	Ductile Iron
5	Stem	Stainless Steel
6	Ball float	Wooden core, fully vulcanized with
7	Middle plank	Ductile Iron
8	O Ring	NBR
9	Bonnet	Ductile Iron
10	Right cover	Ductile Iron

ITEM	PART NAME	MATERIAL
11	Drain coke	Stamped brass
12	Gland	Ductile Iron
13	Stem Nut	Stainless Steel
14	Cap top	Ductile Iron
15	Left cover	Ductile Iron
16	Inside cover	Ductile Iron
17	Bolt	Carbon Steel
18	Washer	Carbon Steel
19	Nut	Carbon Steel